

VAX DSM C

VALUE Tap Range X Head Deck Sink Mixer Chrome



Features:

- Metal handles
- Chrome plated to BS EN 248

Product Certifications:



WRAS Cert. Number: 2007905
WRAS Expiry Date: 31/07/2025



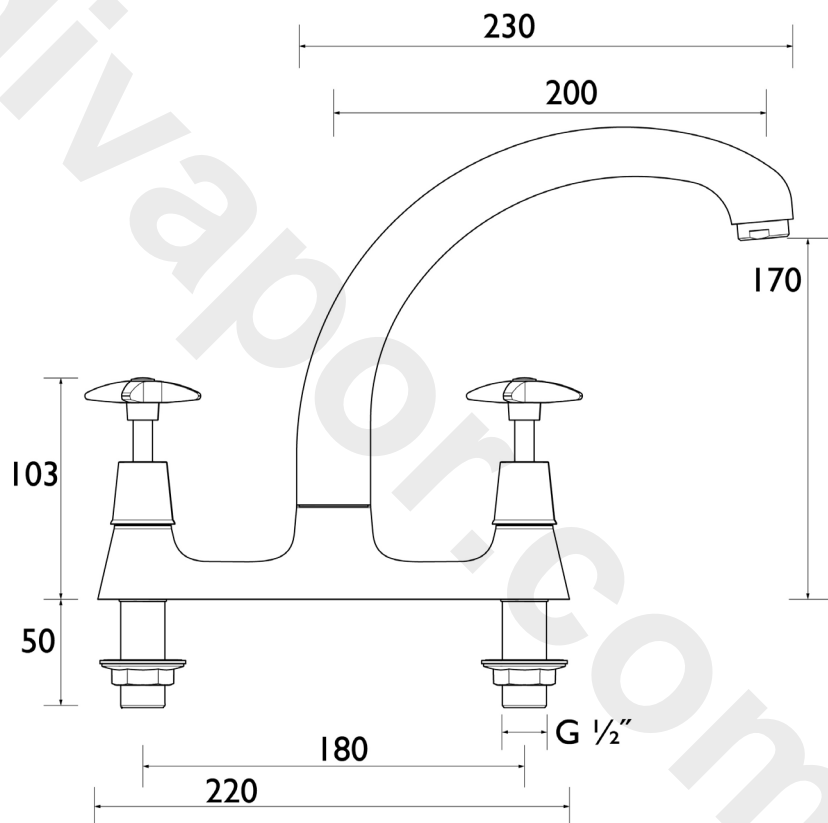
For more products, visit our website:
<http://www.bristan.com>



Specification

| | |
|--|----------------------------|
| Product Type: | Bathroom Taps |
| Main Construction Material: | Brass |
| Mount Type: | Deck Mounted |
| Handle Type: | Crosshead Handles |
| Connection Inlet: | ½" BSP |
| Connection Outlet: | Open |
| Number of Tap Holes: | 2 |
| Valve/Cartridge Type: | 1/2" Compression Valves |
| Plumbing System Requirements: | All - Ideally Balanced |
| Working Pressure Range: | Min. 0.2 Bar - Max 7.0 Bar |
| Maximum Hot Water Temperature: °C | 65 |
| Maximum Static Pressure: (bar) | 10 |
| Flow Type: | Single |
| Isolation Included: | No |

Dimensions (measurements in mm)



Flow Rates (l/min)

| System Pressure (bar) | 0.2 | 0.5 | 1 | 2 | 3 | 5 |
|-----------------------|-----|------|------|------|------|------|
| VAX DSM C | 9.3 | 14.8 | 20.5 | 29.7 | 36.3 | 46.9 |

TECHNICAL DATA SHEET



BRISTAN

D10